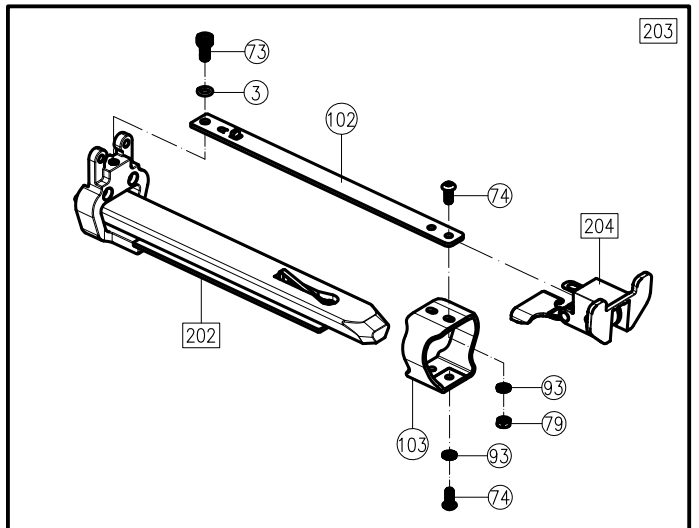
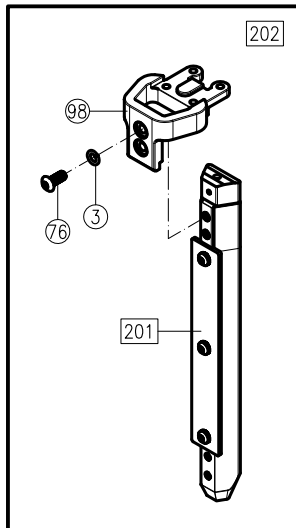
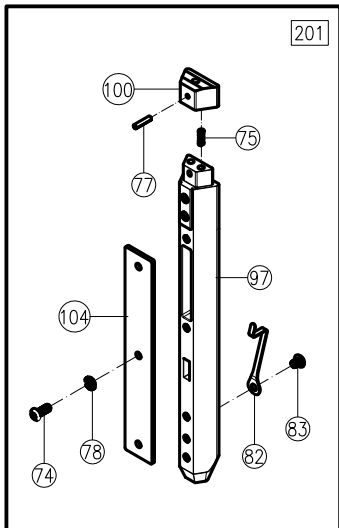
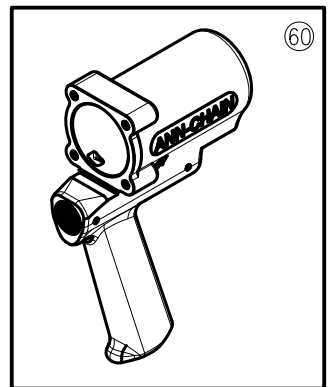
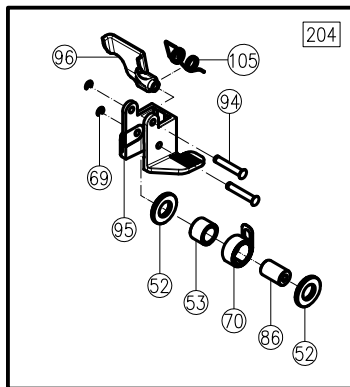
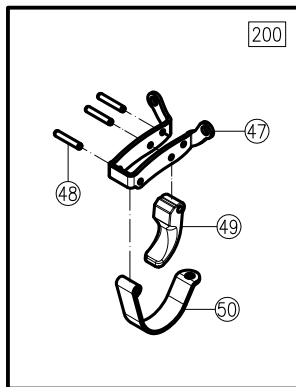
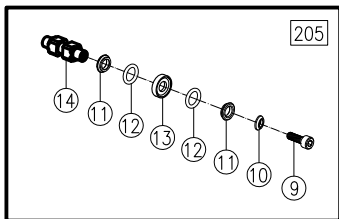
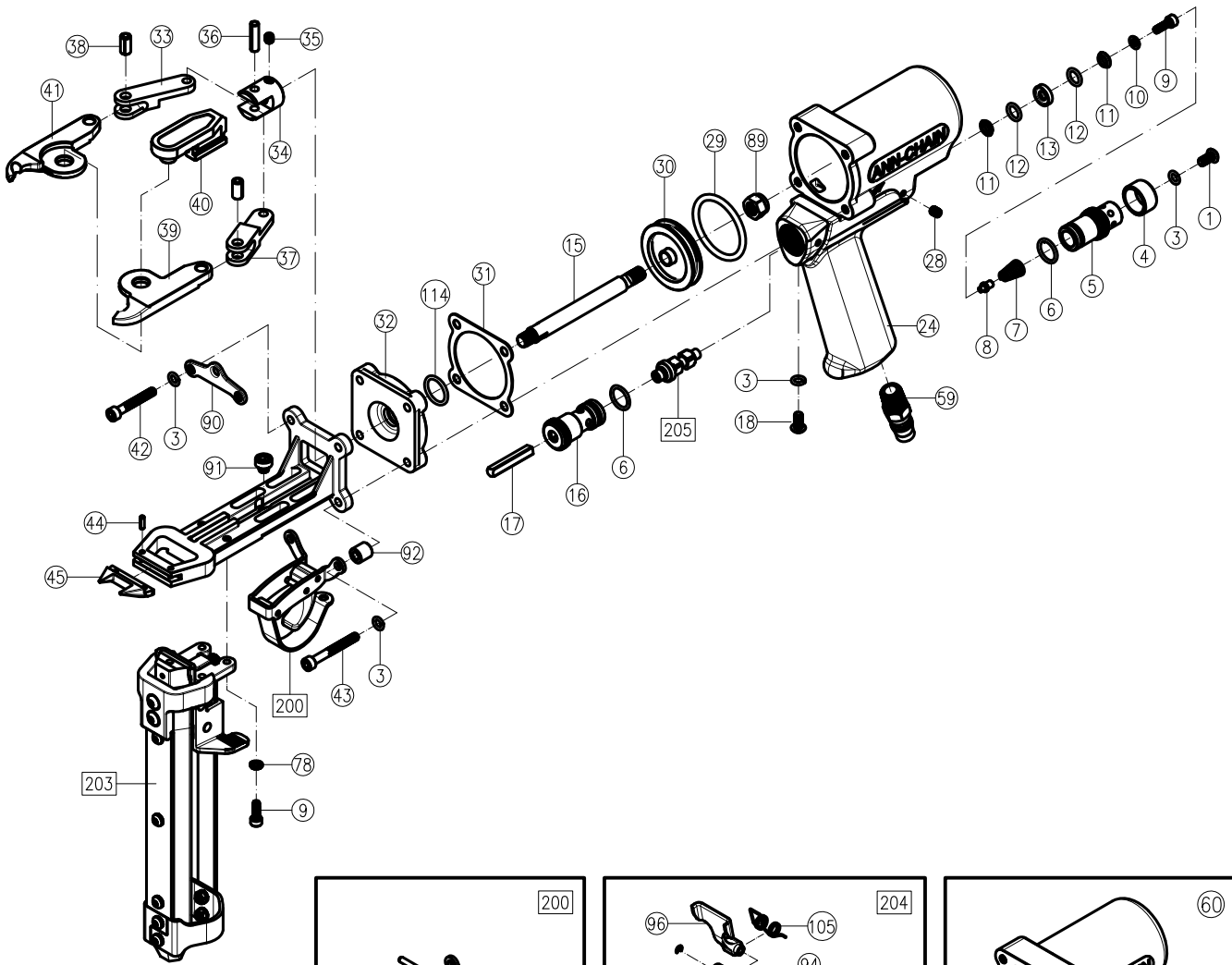


# AD42M & AD43M



## **PARTS LIST**

| ITEM | DESCRIPTION             | TOOL NO. | PART NO. | Q'TY | ITEM | DESCRIPTION                        | TOOL NO. | PART NO. | Q'TY |
|------|-------------------------|----------|----------|------|------|------------------------------------|----------|----------|------|
| 1    | Set Screw               |          | AD01001  | 1    | 59   | Inlet Bushing                      |          | AD01059  | 1    |
| 3    | Shakeproof lock Washer  |          | AD01003  | 6    | 60   | Housing With Rubber Grip           |          | AD41060  | 1    |
| 4    | Air Deflector           |          | AD01004  | 1    | 70   | Pusher Spring                      |          | AC01M070 | 1    |
| 5    | Rear Valve Seat         |          | AD01005  | 1    | 73   | Cap Screw                          |          | AD41073  | 1    |
| 6    | O-Ring                  |          | AD01006  | 2    | 74   | Screw                              |          | AD41074  | 5    |
| 7    | Throttle Spring         |          | AD01007  | 1    | 75   | Spring                             |          | AD41075  | 2    |
| 8    | Throttle Spring Locator |          | AD01008  | 1    | 76   | Screw                              |          | AD41076  | 2    |
| 9    | Throttle Valve Screw    |          | AD01009  | 3    | 77   | Pin                                |          | AD41077  | 1    |
| 10   | Valve Screw Washer      |          | AD01010  | 2    | 78   | Washer                             |          | AD41078  | 2    |
| 11   | O-Ring Support          |          | AD01011  | 4    | 79   | Nut                                |          | AD41079  | 4    |
| 12   | O-Ring                  |          | AD01012  | 4    | 82   | Clip Anti-Backup                   |          | AC02082  | 1    |
| 13   | O-Ring Center Support   |          | AD01013  | 2    | 83   | Screw                              |          | AC02083  | 1    |
| 14   | Throttle Valve Spacer   |          | AD01014  | 1    | 86   | Spring Roll                        |          | AC01M097 | 1    |
| 15   | Piston rod              |          | AD41015  | 1    | 89   | Flexloc Nut                        |          | AC01089  | 1    |
| 16   | Front Valve Seat        |          | AD01016  | 1    | 90   | Hanger                             |          | AD41090  | 1    |
| 17   | Throttle Stem           |          | AD01017  | 1    | 91   | Cap Screw                          |          | AD41091  | 1    |
| 18   | Button Head Cap Screw   |          | AD01018  | 1    | 92   | Pad Roll                           |          | AD41092  | 2    |
| 28   | Set Screw               |          | AD01028  | 1    | 93   | Washer                             |          | AD41093  | 2    |
| 29   | O-Ring                  |          | AC41029  | 1    | 94   | Pusher Pin                         |          | AC01M094 | 2    |
| 30   | Piston                  |          | AC41030  | 1    | 95   | Pusher Set                         |          | AD41M095 | 1    |
| 31   | Cylinder Gasket         |          | AC41031  | 1    | 96   | Pusher                             |          | AD41M096 | 1    |
| 32   | Piston Stop Spacer      |          | AD41032  | 1    | 97   | Magazine (Short)                   | AD42M    | AD41M097 | 1    |
| 33   | Right Arm Link          |          | AD41033  | 1    |      | Magazine (Long)                    | AD43M    | AD43M097 |      |
| 34   | Clevis                  |          | AD01034  | 1    | 98   | Magazine Set                       |          | AD41M098 | 1    |
| 35   | Set Screw               |          | AD01035  | 1    | 100  | Magazine Shoe                      |          | AD41M100 | 1    |
| 36   | Roll Pin                |          | AD01036  | 1    | 102  | Feeder Guid Rail (Short)           | AD42M    | AD41M102 | 1    |
| 37   | Left Arm Link           |          | AD01037  | 1    |      | Feeder Guid Rail (Long)            | AD43M    | AD43M102 |      |
| 38   | Roll Pin                |          | AD01038  | 2    | 103  | Feeder Arm                         |          | AD41M103 | 1    |
| 39   | Left Jaw                |          | AD41039  | 1    | 104  | Guard (Short)                      | AD42M    | AD41M104 | 1    |
| 40   | Slide                   |          | AD41040  | 1    |      | Guard (Long)                       | AD43M    | AD43M104 |      |
| 41   | Right Jaw               |          | AD41041  | 1    | 105  | Pusher Spring                      |          | AD41M105 | 1    |
| 42   | Cap Screw               |          | AD41042  | 2    | 114  | O-Ring                             |          | AD41114  | 1    |
| 43   | Cap Screw               |          | AD41043  | 2    | 200  | Trigger Guard Bracket Assy.        |          | AD41200  | 1    |
| 44   | Roll Pin                |          | AD01044  | 2    | 201  | Magazine Assy. (Short)             | AD42M    | AD41M201 | 1    |
| 45   | Teeth (Straight)        |          | AD41045  | 1    |      | Magazine Assy. (Long)              | AD43M    | AD43M201 |      |
| 47   | Trigger Guard Bracket   |          | AD41047  | 1    | 202  | Magazine Assy. (Short)             | AD42M    | AD41M202 | 1    |
| 48   | Roll Pin                |          | AD01048  | 3    |      | Magazine Assy. (Long)              | AD43M    | AD43M202 |      |
| 49   | Trigger                 |          | AD01049  | 1    | 203  | Magazine with Pusher Assy. (Short) | AD42M    | AD41M203 | 1    |
| 50   | Trigger Guard           |          | AD01050  | 1    |      | Magazine with Pusher Assy. (Long)  | AD43M    | AD43M203 |      |
| 52   | Plastic Washer          |          | AC01M052 | 2    | 204  | Pusher Assy.                       |          | AD41M204 | 1    |
| 53   | Plastic Roller          |          | AC01M053 | 1    | 205  | Throttle Valve Spacer Assy.        |          | AC01208  | 1    |

## **RECOMMENDED SPARE PARTS LIST**

| ITEM | DESCRIPTION      | PART NUMBER | QTY |
|------|------------------|-------------|-----|
| 29   | O-Ring           | AC41029     | 1   |
| 39   | Left Jaw         | AD41039     | 1   |
| 41   | Right Jaw        | AD41041     | 1   |
| 45   | Teeth (Straight) | AD41045     | 1   |
| 204  | Pusher Assy.     | AD41M204    | 1   |

## **PERIODIC MAINTENANCE**

### **1. Keeping clean of the tools**

Do not set tools at the place where will get damage easily. Please keep from dust and humidification. Putting the tool in proper temperature is very important when the tool does not be used for a long time.

### **2. Cleaning the obstacle inside of tool**

After using tools, please clean any obstacle blocking in JAWS (#39, #41). Keeping the tools clean is better.

### **3. Putting down tools lightly**

After work, please put tools down lightly to avoid damaging the body and the magazine of tool.

### **4. Lubrication**

To insure long, trouble-free service, we recommend air line lubricators and Filter Units for proper lubrication and clean, dry air. A good grade of oil that emulsifies in water is recommended for air tools.

### **5. Manual oiling**

Although the jaws and other moving parts of the tool do need to be oiled, periodic oiling in small amounts may increase the serviceable life of the tool that receives heavy use. On a daily basis, place 4 -5 drops of light non-detergent oil into the inlet fitting where the supply line connects on the bottom of the handle.

## **WARNING**

- ◆ Always read tool manual before operating.
- ◆ Do not point the tool at anyone. Keep hands and clothing away from the front of Jaws of the tool and away from all moving parts. Injury may result. Failure to follow these precautions may result in serious injury.
- ◆ Never actuate tool when loading, accidental injury may occur.
- ◆ Keep others at a safe distance from the tool while the tool is in operation as actuation occurs, possibly causing injury.
- ◆ Always wear safety glasses while operating or while in the vicinity of a tool in operation.
- ◆ Operate tool in an unobstructed work area.
- ◆ Air pressure should be maintained at 90 - 110 PSI (6 - 7 bars) using 1/4" (6.35mm) ID air hose. Higher pressures will not increase the operating speed of the tool and may cause damage to it.
- ◆ Do not use bottled gases such as oxygen, hydrogen, carbon dioxide or other combustible gasses.
- ◆ Disconnect air supply prior to maintenance or repair of tool.