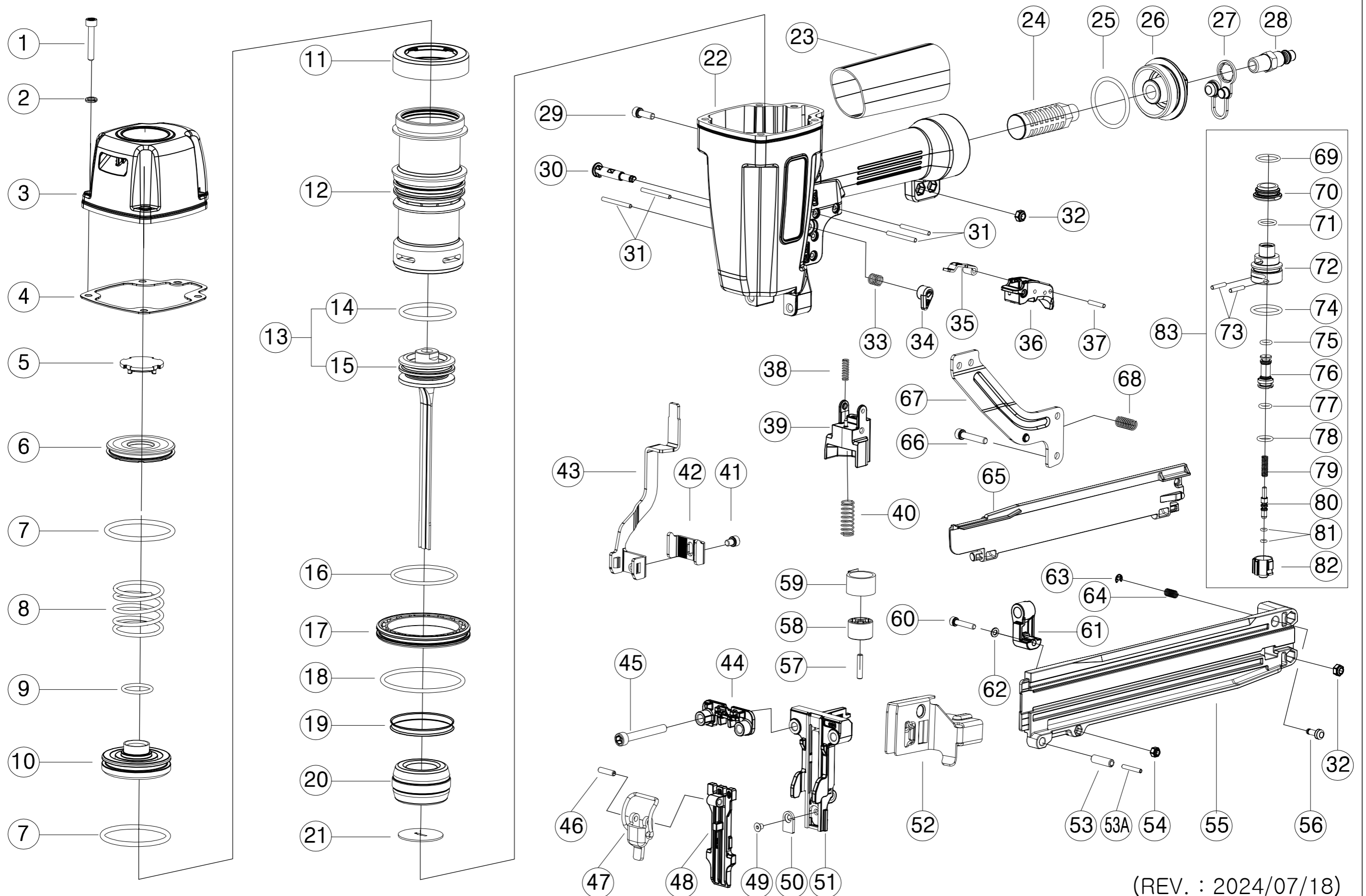


EXPLODED DIAGRAM OF JNS50



(REV. : 2024/07/18)

JNS50 (16GA. 7/16" MEDIUM CROWN STAPLER)

NO.	DESCRIPTION	PART NO.	NO.	DESCRIPTION	PART NO.	NO.	DESCRIPTION	PART NO.
1	BOLT(M5x30L)	Z-05-300	29	BOLT(M5x14L)	Z-05-140	57	NEEDLE ROLLER	JNS50-M-010
2	SPRING WASHER (for M5)	W-05	30	SWITCH BAR	JNS50-T-003	58	DRUM	JNS50-M-011
3	CAP	JNS50-C-001	31	ROLL PIN (Ø3x30L)	R-30-300	59	PUSHER SPRING	JNS50-M-005
4	GASKET	JNS50-C-002	32	LOCK NUT (for M5)	NN-05	60	BOLT(M4x20L)	Z-04-200
5	EXHAUST SEAL	JNS50-H-007	33	SWITCH BAR SPRING	JNS50-T-005	61	MAGAZINE HINGE	JNS45-M-003
6	HEAD VALVE GUIDE	JNS50-H-002	34	SWITCH CAP	JNS50-T-004	62	SPRING WASHER (for M4)	W-04
7	HEAD VALVE O-RING(OUT) (AP48)	JNS50-H-004	35	TRIGGER B (IN)	JNS50-T-002	63	E-RING (Ø3)	E-030
8	HEAD VALVE SPRING	JNS50-H-006	36	TRIGGER A (OUT)	JNS50-T-001	64	STOPPER SPRING	JNS45-M-009
9	HEAD VALVE O-RING(IN) (AP20)	CT64-V-011	37	ROLL PIN (Ø3x16L)	R-30-160	65	MAGAZINE COVER	JNS50-M-002
10	HEAD VALVE	JNS50-H-001	38	HOUSING SPRING	JNS50-S-006	66	BOLT(M5x28L)	Z-05-280
11	CYLINDER SEAL	JNS50-A-004	39	HOUSING	JNS50-S-003	67	BRACKET	JNS50-M-007
12	CYLINDER	JNS50-A-001	40	CONTACT ARM SPRING	JNS50-S-002	68	MAGAZINE SPRING	JNS45-M-008
13	PISTON SET	JNS50-P-P001	41	BOLT(M5x6L)	ZN-05-060	69	O-RING (ARP568-016)	S80/16-V-004
14	PISTON O-RING	JNS50-P-003	42	CONTACT FOOT	JNS50-S-004	70	SPACER	JCN55-V-002
15	PISTON ASSEMBLY	JNS50-P-P002	43	CONTACT ARM	JNS50-S-001	71	O-RING (ARP568-013)	1013-V-011
16	CYLINDER O-RING	1651-H-004	44	GUIDE COVER A	JNS50-G-002	72	TRIGGER VALVE HOUSING	JCN70-V-003
17	CYLINDER RING	JNS50-A-002	45	BOLT(M6x45L)	ZN-06-450	73	PIN	JCN70-V-013
18	CYLINDER RING O-RING	JN100C-H-003	46	ROLL PIN (Ø4x18L)	R-40-180	74	O-RING (1AP20)	JCN70-V-011
19	CHECK VALVE	JNS50-A-007	47	GUIDE COVER LATCH SET	JNS50-G-P001	75	O-RING (1AP6)	NV-V-004
20	BUMPER	JNS50-A-003	48	GUIDE COVER B	JNS50-G-003	76	PILOT VALVE	JCN70-V-007
21	NOZZLE	JNS50-A-008	49	D/H BOLT	JNS50-G-010	77	O-RING (1BP7)	CT64-V-005
22	BODY	JNS50-B-001	50	DRIVER GUIDE TIP	JNS50-G-009	78	O-RING (1AP9)	JCN70-V-006
23	GRIP	JNS50-B-004	51	DRIVER GUIDE	JNS50-G-001	79	SPRING	JCN70-V-009
24	FILTER	KM-23	52	PUSHER	JNS50-M-004	80	TRIGGER VALVE STEM	JNS50-V-010
25	END CAP O-RING (1AG35)	JCN55-B-003	53	ROLL PIN (ø6 x 20)	R-60-200	81	O-RING (1.4 x 2.5)	JCN70-V-008
26	END CAP	JNS50-B-002	54	LOCK NUT (For M4)	NN-04	82	TRIGGER VALVE CAP	JNS50-V-012
27	PLUG CAP	9032-B-006	55	MAGAZINE BODY	JNS50-M-001	83	VALVE SET	JNS50-V-P001
28	AIR PLUG	9032-B-005	56	PUSHER STOPPER	JNS45-M-006			

** All the parts of nailer can be changed for improvement and re-design without announcement.

(REV. : 2019/08/13)