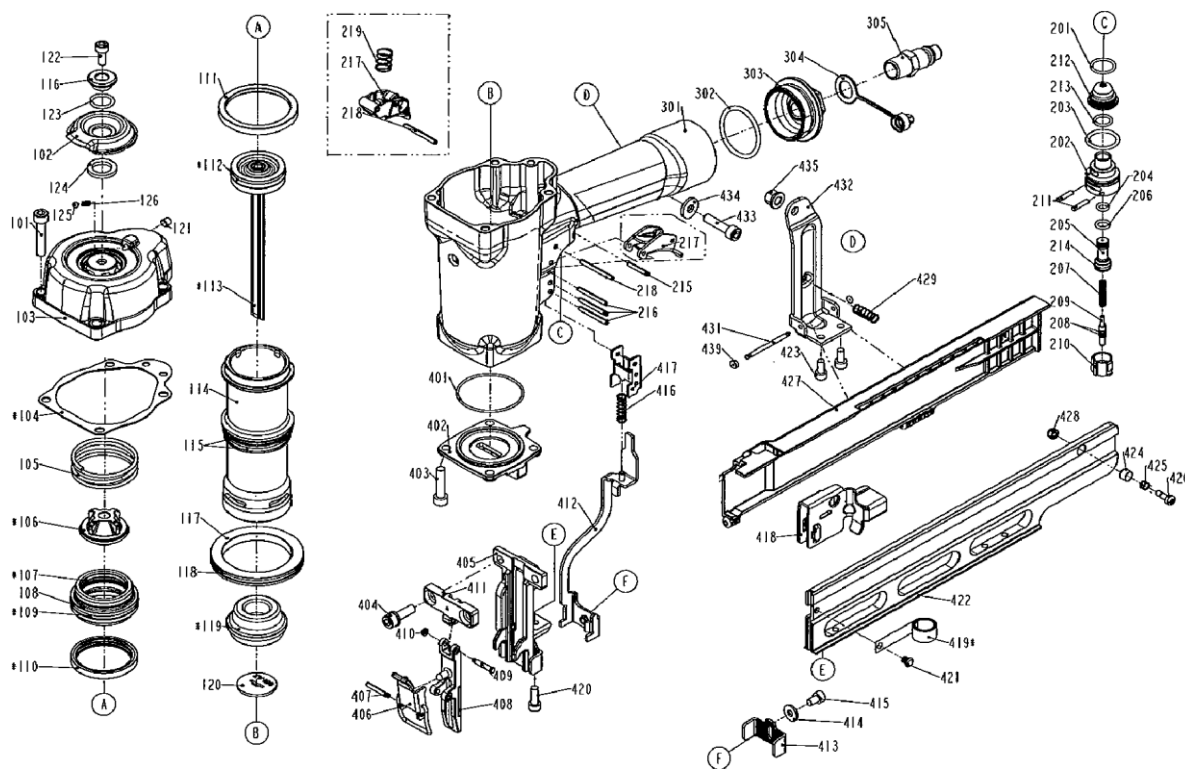


# DIAGRAM OF MON/SG51-1/CE



| ITEM NO. | PART NO.        | DESCRIPTION         | ITEM NO. | PART NO.        | DESCRIPTION          | ITEM NO. | PART NO.        | DESCRIPTION          |
|----------|-----------------|---------------------|----------|-----------------|----------------------|----------|-----------------|----------------------|
| 101      | 2040101-04110-0 | HEX.SOC.HD.BOLT     | 208      | 2041108-01020-0 | O - RING             | 417      | 11338-0074702-1 | SAFETY GUIDE         |
| 102      | 11371-0084301-1 | DEFLECTOR           | 209      | 11375-0860002-1 | PLUNGER              | 418      | 11363-0074702-1 | PUSHER               |
| 103      | 11369-0071307-1 | CAP                 | 210      | 11373-0860001-1 | TRIGGER VALVE HEAD   | 419      | 11372-0460001-1 | SPRING               |
| 104      | 11302-0824701-1 | CYLINDER CAP SEAL   | 211      | 11329-0860001-1 | PIN                  | 420      | 2040100-03010-2 | BOLT ASSY            |
| 105      | 11360-0460001-3 | COMPRESSION SPRING  | 212      | 1137A-0860001-1 | COVER-PLUNGER        | 421      | 11324-0074702-1 | FIXED PIN            |
| 106      | 11370-0820001-1 | SEAL                | 213      | 2041104-02070-0 | O - RING             | 422      | 11389-0074705-2 | MAGAZINE A           |
| 107      | 2041104-04070-0 | O - RING            | 214      | 2041100-01030-0 | O - RING             | 423      | 2040101-03040-2 | HEX.SOC.HD.BOLT      |
| 108      | 11368-0820001-2 | HD.VALVE PISTON     | 215      | 2040401-05100-0 | SPIRAL PINS          | 424      | 1132N-0820001-1 | DEEP IMPACT SOCKET 1 |
| 109      | 2041109-05030-0 | O - RING            | 216      | 2040401-05150-0 | SPIRAL PINS          | 425      | 11311-0074701-1 | LATCH SPRING         |
| 110      | 11399-0460002-1 | COLLAR              | 217      | 11224-0764701-1 | TRIGGER UNIT         | 426      | 11310-0074703-1 | DOOR LATCH           |
| 111      | 1135J-0070001-1 | PRESS RING          | 218      | 2040401-05160-0 | SPIRAL PINS          | 427      | 11348-0074703-2 | MOUNTING BRACKET     |
| 112      | 2041100-04051-0 | O - RING            | 219      | 11376-0370001-1 | SPRING               | 428      | 2040500-02020-0 | LOCK NUT             |
| 113      | 11204-0070021-2 | DRIVER UNIT ONE PCS | 301      | 11230-007H801-1 | GUN BODY UNIT        | 429      | 11337-0074701-1 | SAFETY SPRING        |
| 114      | 11320-0070005-1 | CYLINDER            | 302      | 2041101-04020-0 | O - RING             | 431      | 1135N-0074701-1 | HINGE POINT          |
| 115      | 2041104-05030-0 | O - RING            | 303      | 11346-0951301-1 | END CAP              | 432      | 11323-0074707-2 | POSITIONING SHEET    |
| 116      | 11381-0464701-1 | WASHER              | 304      | 1132L-0014701-1 | DUSTY COVER          | 433      | 2040101-04090-0 | HEX.SOC.HD.BOLT      |
| 117      | 11321-0820001-1 | CYLINDER SPACER     | 305      | 1135V-0000021-3 | AIR PLUG             | 434      | 2040202-04010-0 | FLAT WASHER          |
| 118      | 2041104-07020-0 | O - RING            | 401      | 2041109-05160-0 | O - RING             | 435      | 2040501-04010-0 | BOLT CAP             |
| 119      | 11327-0824701-1 | BUMPER              | 402      | 11326-0824701-2 | BASE                 | 439      | 1135H-1314701-1 | PU RETAINER          |
| 120      | 11388-0074703-1 | DRIVER GUIDE        | 403      | 2040101-04200-2 | HEX.SOC.HD.BOLT      |          |                 |                      |
| 121      | 2040104-03010-0 | HEX.SOC.HD.SCREW    | 404      | 2040100-04010-2 | BOLT ASSY            |          |                 |                      |
| 122      | 2040101-03050-2 | HEX.SOC.HD.BOLT     | 405      | 11303-0074705-3 | DRIVER GUIDE         |          |                 |                      |
| 123      | 2041105-02010-0 | O - RING            | 406      | 11244-0074702-1 | LOCK HANDLE UNIT     |          |                 |                      |
| 124      | 1135G-0460001-1 | RUBBER PAD          | 407      | 2040402-05110-0 | SPIRAL PINS          |          |                 |                      |
| 125      | 2040800-02010-0 | BALL                | 408      | 11352-0074706-1 | DRIVER GUIDE COVER A |          |                 |                      |
| 126      | 1131L-0464701-1 | POSITIONING SPRING  | 409      | 11324-0074701-1 | FIXED PIN            |          |                 |                      |
| 201      | 2041104-02060-0 | O - RING            | 410      | 1131D-0460001-1 | RETAINER             |          |                 |                      |
| 202      | 11374-0860001-1 | PLUNGER CAP         | 411      | 11353-0074703-2 | DRIVER GUIDE COVER B |          |                 |                      |
| 203      | 2041100-02050-0 | O - RING            | 412      | 11256-0074704-1 | SAFETY B UNIT        |          |                 |                      |
| 204      | 2041100-01070-0 | O - RING            | 413      | 11331-0074707-1 | SAFETY A             |          |                 |                      |
| 205      | 1133S-0860001-1 | VALVE PLUNGER       | 414      | 2040202-03010-0 | FLAT WASHER          |          |                 |                      |
| 206      | 2041100-01050-0 | O - RING            | 415      | 2040101-03030-1 | HEX.SOC.HD.BOLT      |          |                 |                      |
| 207      | 11376-0860001-1 | SPRING              | 416      | 11337-0104701-1 | SAFETY SPRING        |          |                 |                      |