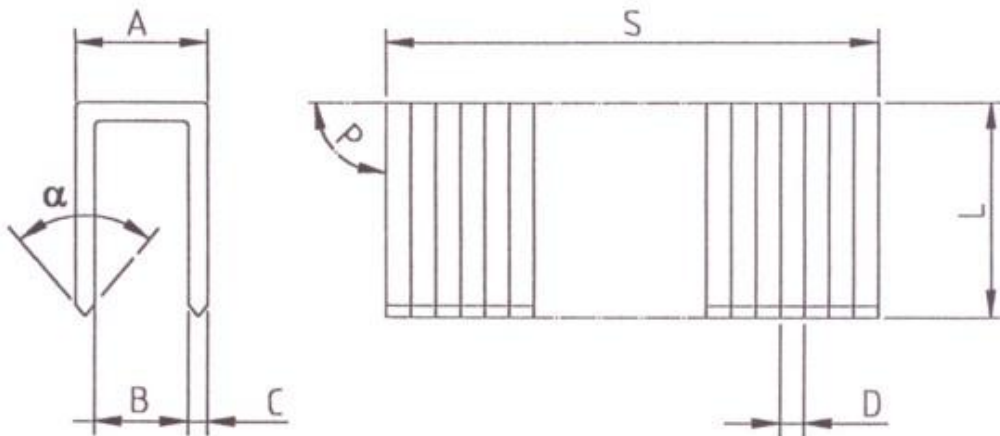




Scheda Tecnica Graffe 90



A	OUTER CROWN WIDTH	mm	5.60 ^{±0.1}
B	INNER CROWN WIDTH	mm	3.60 ^{±0.1}
C	WIRE THICKNESS	mm	1.00 ^{±0.01}
D	WIRE WIDTH	mm	1.25 ^{±0.01}

L RANGE OF LENGTHS mm +0/-0.2

9	12	15	18	20	22	25
28	30	32	35	38	40	

S	LENGTH OF STICK	mm	125 ^{±0.5}
alpha	ANGLE OF POINT		- 70°
p	ANGLE OF STICK		90° ^{±30'}

MATERIAL	: UNI EN 10016-2/96
TENSILE STRENGTH	: 1100-1200 N/mm ²
FINISH	: STANOX (BRONCED WIRE)
COATING	: COMBI-COATED
STAPLES PER STICK	: 100