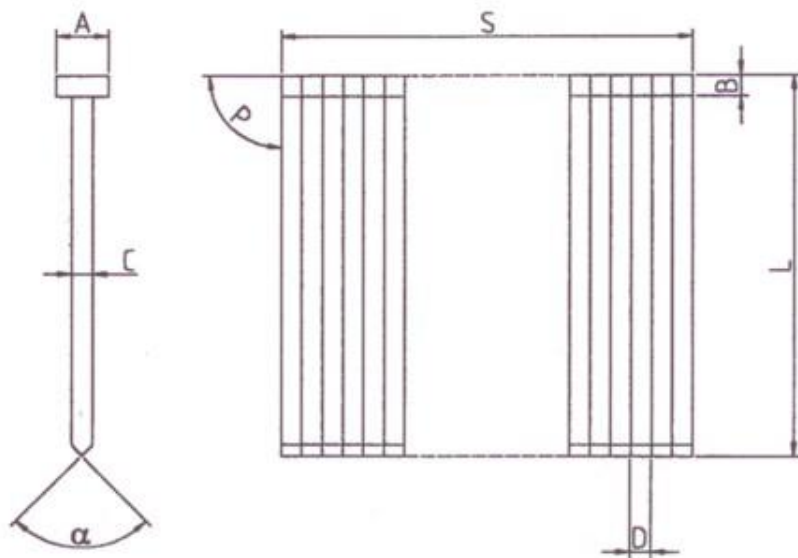




## Scheda Tecnica Microbrads Tipo MG



A	WIDTH OF HEAD	mm	1.30 ± 0.2
B	HEIGHT OF HEAD	mm	0.80 +0/-0.1
C	WIRE THICKNESS	mm	0.72 ± 0.01
D	WIRE WIDTH	mm	0.88 ± 0.01

L	STANDARD SIZES (tol. +0/-0.3 mm)	13	15	18	20	25	30	35
		40						

S	LENGTH OF STICK	mm	73 ± 0.5
α	ANGLE OF POINT		~ 70°
P	ANGLE OF STICK		90° ± 30'

MATERIAL	: UNI EN 10016-2/96
TENSILE STRENGTH	: 1150-1250 N/mm <sup>2</sup>
FINISH	: STANOX (BRONCED WIRE)
BRADS PER STICK	: 82