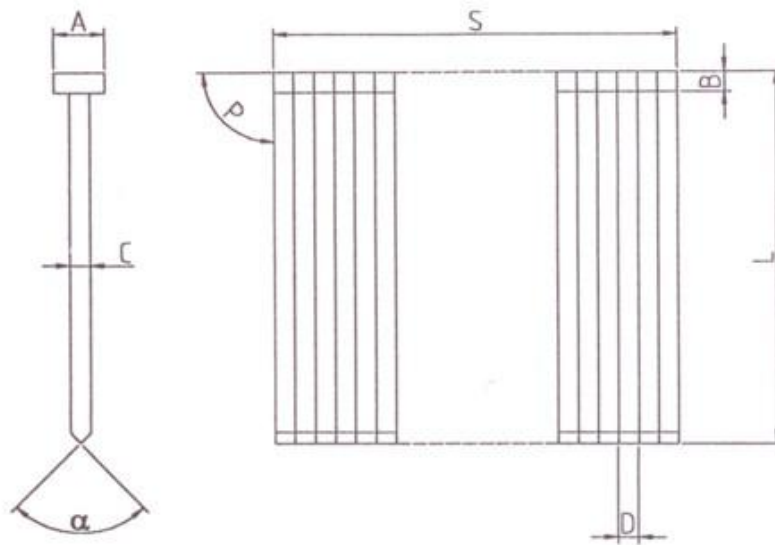




Scheda Tecnica Minibrads Tipo NP



A	WIDTH OF HEAD	mm	1.90 ^{±0.2}
B	HEIGHT OF HEAD	mm	1.00 ^{+0/-0.1}
C	WIRE THICKNESS	mm	1.00 ^{±0.01}
D	WIRE WIDTH	mm	1.25 ^{±0.01}

L RANGE OF LENGTHS mm +0/-0.2

13	15	16	20	22	25	28
30	32	35	38	40	45	50

S	LENGTH OF STICK	mm	73 ^{±0.5}
α	ANGLE OF POINT		~ 70°
P	ANGLE OF STICK		90° ^{±30°}

MATERIAL	: UNI EN 10016-2/96
TENSILE STRENGTH	: 1100-1200 N/mm ²
FINISH	: STANOX (BRONCED WIRE)
BRADS PER STICK	: 58